



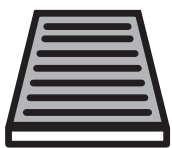
PROTECT

combined with active carbon



715607

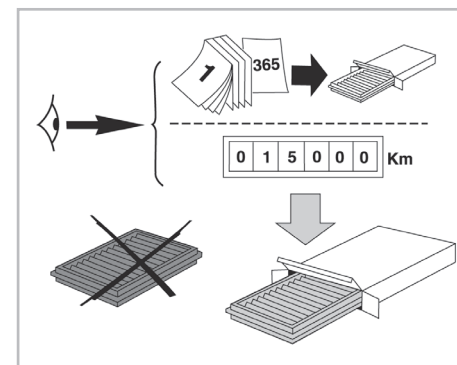
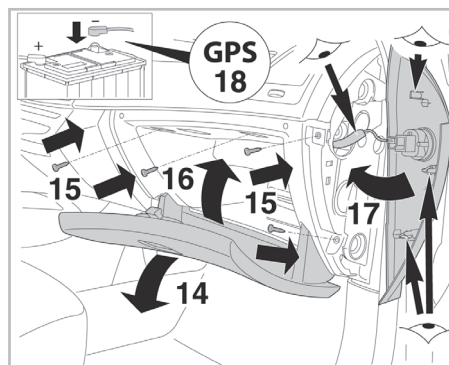
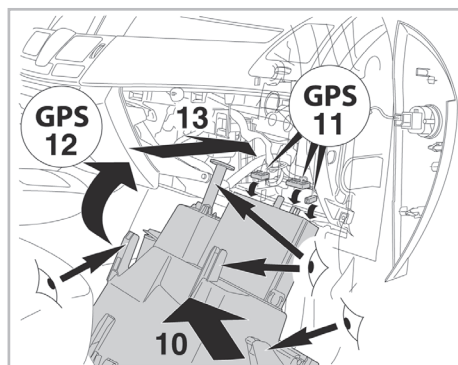
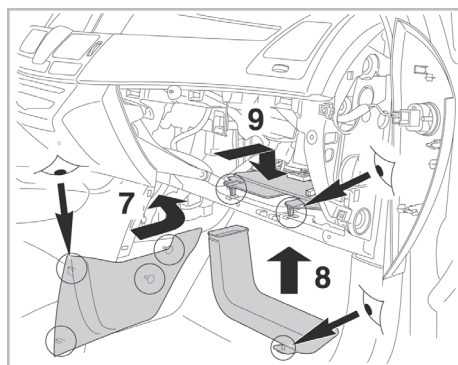
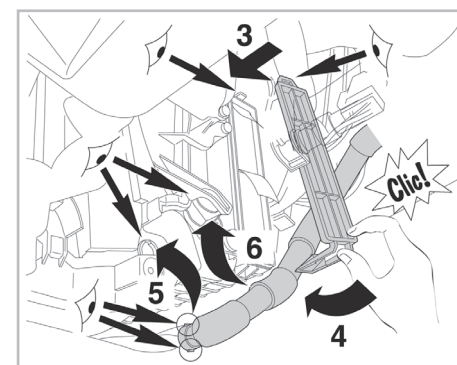
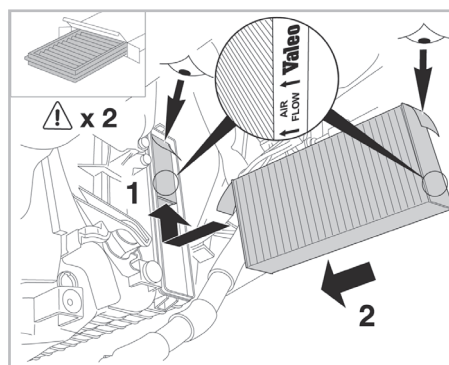
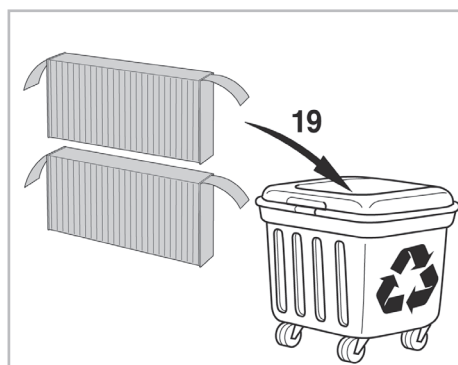
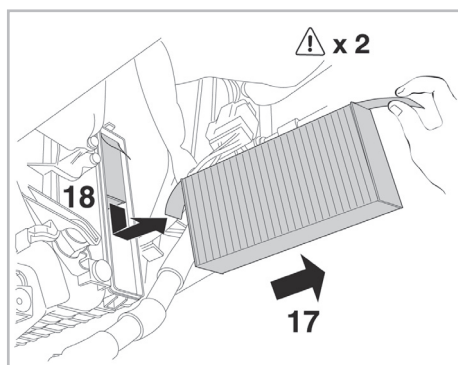
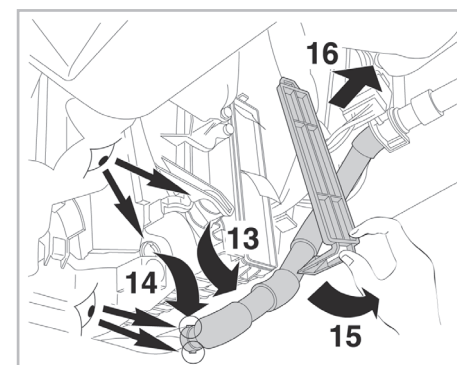
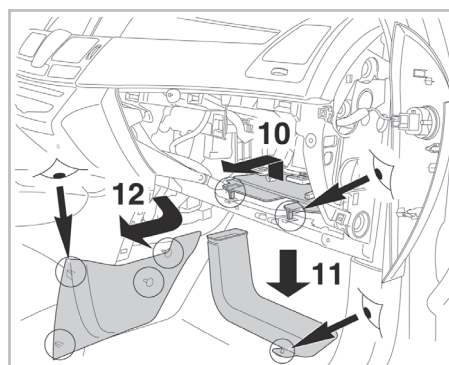
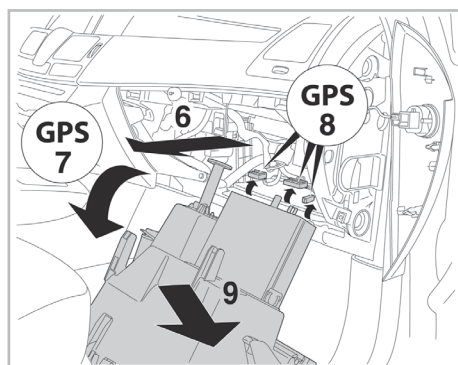
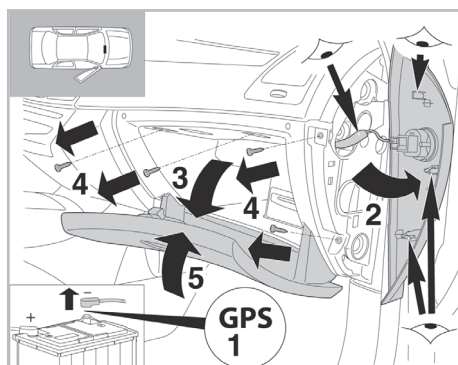
FH316



CA

FOR
RENAULT

LAGUNA III A/C+/- (10/07 >)



WANT TO KNOW MORE?



www.valeo-techassist.com

Valeo Service - Société par Actions simplifiée - Capital de 12 900 000 € - 70, rue Playel, 93285 Saint-Denis Cedex - France - B 306 486 408 RCS Bobigny